

Reflektor RGBW 9W, IP68, 12V AC, stal nierdzewna

Product Features

This wall-mounted underwater lamp is designed and developed for underwater lighting; It's with RF module inside. We use LoRa modem technology to fulfill the super long distance controlling. It's controlled by our 433MHz remote control or 433MHz Gateway for smartphone control. The lamp is with Red, Green, blue, cool white and warm white LED chips in side to fulfill the color changing, brightness dimming and dynamic mode controlling. Easy operation.



RGB+CCT
16 millions of colors to choose



433MHz RF wireless
transmission technology



Color temperature
2700~6500K



Super long distance 433MHz
remote controller control



Dimmable
saturation control



Smart phone app control
(433MHz Gateway is needed)



Waterproof and dustproof
grade IP68

Dynamic Mode Sheet

Number	Dynamic Mode	Brightness & Speed
1	Mardi Gras	Adjustable
2	Automatic color change	
3	Sam	
4	Gemstone	
5	Twilight	
6	American	
7	Fat Tuesday	
8	Party	
9	Slow Color Splash	

Input Voltage: AC12V / DC12V~24V

Power: 9W

Working Temperature: -20~45°C

Color temperature: 2700~6500K

Luminous Flux: 600LM

Light Efficiency: 75LM/W

CRI: >80

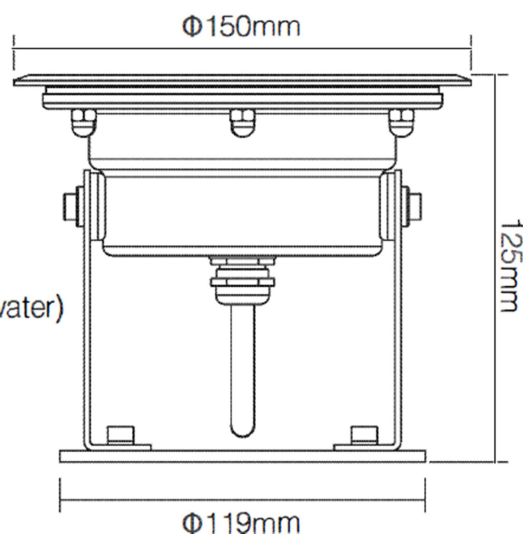
Control distance: 50m (Lamps into 0.5m underwater)

Lifespan: 50000h

IP Rate: IP68

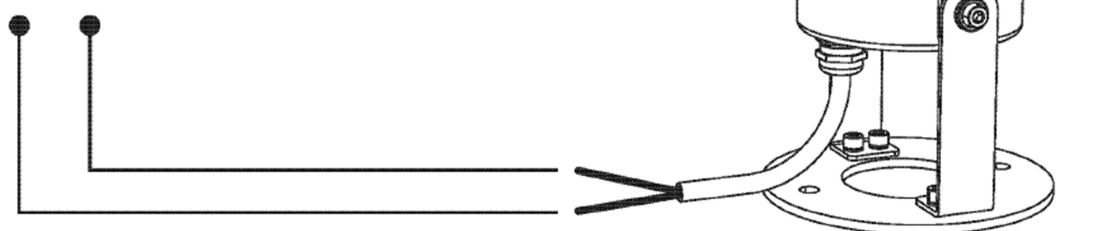
Product Weight: 1.3kg

Housing Material: Aluminum+stainless steel



Connection Diagram

Input: AC12V / DC12V~24V



Switch-OFF to change color instruction

Switch OFF(for 5 seconds); Switch-ON again	Switch-OFF (For 5-10 seconds); Switch ON again	Switch-OFF (for over 10 seconds); Switch ON again																		
<p>Switch the colors and dynamic modes in turn</p> <table border="0"> <tr> <td>1. Static Red</td> <td>9. Mardi Gras</td> </tr> <tr> <td>2. Static Green</td> <td>10. Automatic color change</td> </tr> <tr> <td>3. Static Blue</td> <td>11. Sam</td> </tr> <tr> <td>4. Static Yellow</td> <td>12. Gemstone</td> </tr> <tr> <td>5. Static Cyan</td> <td>13. Twilight</td> </tr> <tr> <td>6. Static Purple</td> <td>14. American</td> </tr> <tr> <td>7. Static Cool White</td> <td>15. Fat Tuesday</td> </tr> <tr> <td>8. Static Warm White</td> <td>16. Party</td> </tr> <tr> <td></td> <td>17. Slow Color Splash</td> </tr> </table>	1. Static Red	9. Mardi Gras	2. Static Green	10. Automatic color change	3. Static Blue	11. Sam	4. Static Yellow	12. Gemstone	5. Static Cyan	13. Twilight	6. Static Purple	14. American	7. Static Cool White	15. Fat Tuesday	8. Static Warm White	16. Party		17. Slow Color Splash	<p>Static Red</p>	<p>Status before Switch OFF</p>
1. Static Red	9. Mardi Gras																			
2. Static Green	10. Automatic color change																			
3. Static Blue	11. Sam																			
4. Static Yellow	12. Gemstone																			
5. Static Cyan	13. Twilight																			
6. Static Purple	14. American																			
7. Static Cool White	15. Fat Tuesday																			
8. Static Warm White	16. Party																			
	17. Slow Color Splash																			

