

USER MANUAL

Solar Batten Light



IP65
Weatherproof



High-brightness
LED



LifePO4
Battery



Motion
Sensor

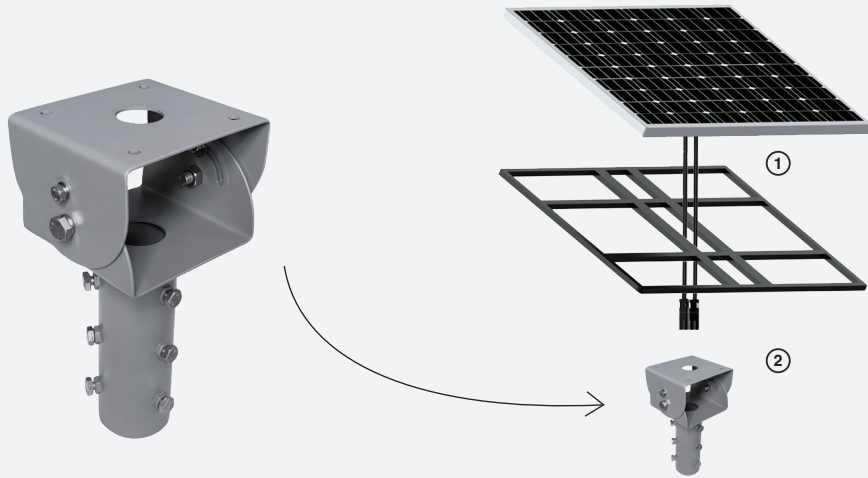


Automatic
ON/OFF



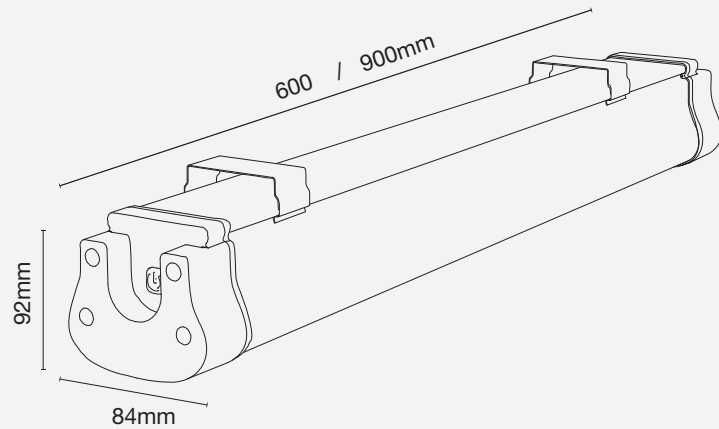
Notice : Please charge the light fully every 3 months if it is not used to remain its performance.

Installation steps for solar panels and adjustable brackets

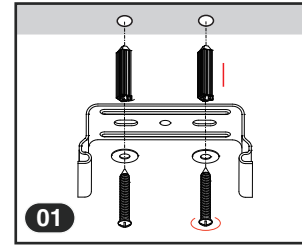


- ① The solar panel is installed on a fixed frame
- ② Align the screw holes of the solar panel frame and install adjustable brackets

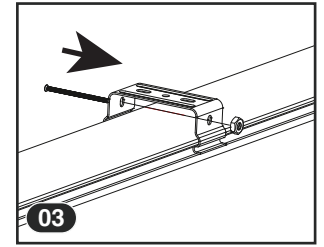
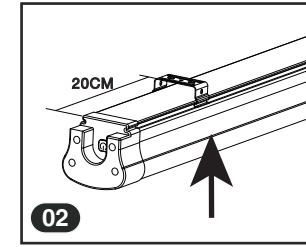
Product size



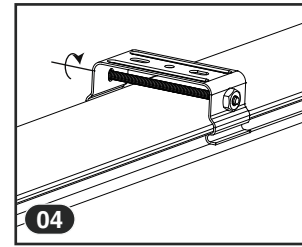
How to install light fixture



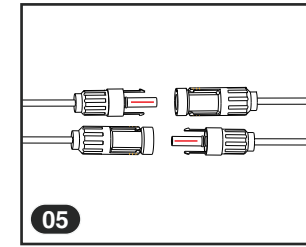
Fix the two metal clips to the surface of the wall or roof, and make sure the two clips are in a straight line. The distance between the two clips is about 40 cm for 60cm 12W or 70~80cm for 120cm 24W.



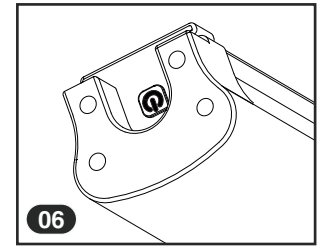
Insert the tensioning bolt and attach the light to the metal clips.



Using a screwdriver, adjust the tensioning bolts to lock the light fixture properly



Connect the solar light fixture to the solar panel by the MC4 Connectors to the Solar PV panel. Make sure the connections of MC4 plugs are tightened properly.



Push on the button to turn on the system, and the light will work automatically from dusk to dawn.

Regular Trouble Shot

Problem	Reason	How to solve
Light is off	Switch is off	Turn on the on/off switch of light
	No direct sunshine	Move the light to the direct sunny area
	Continuous cloudy or rainy days	Light will back to work when sun returns
	There is debris on solar panel	Clean the solar panel
Short working time	Location problem	Move the light to the area with direct sunshine
	Continuous cloudy or rainy days	Light will be recharged when sun returns
	Battery life is expired	Replace with a new battery

USER MANUAL

Solar Batten Light



IP65
Weatherproof



High-brightness
LED



LifePO4
Battery



Motion
Sensor



Automatic
ON/OFF



Notice : Please charge the light fully every 3 months if it is not sold to remain its performance.

How to assemble bracket to solar panel



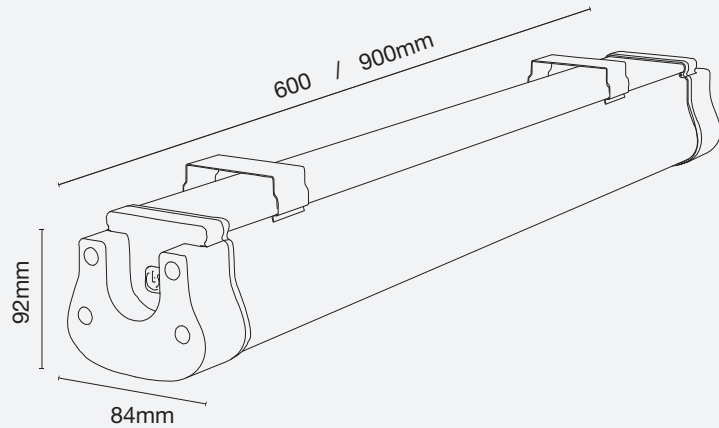
Assembly Mounting Bracket to Solar Panel

- ① ⑤ M6*16 Screws . This is to fix to solar panel
- ② ③ M6*16 Screws . Can fix in different holes for different mounting angle.
- ④ M8*16 Screws .

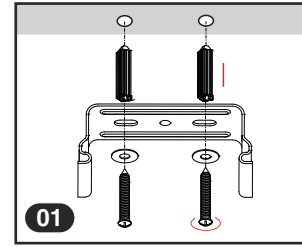
NOTICE

Please note the brackets for left and right sides are different, make sure it is well-assembled properly.

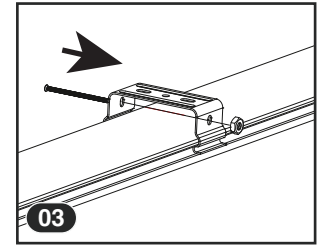
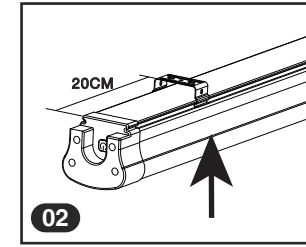
Product size



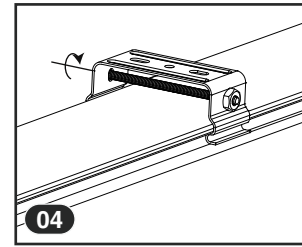
How to install light fixture



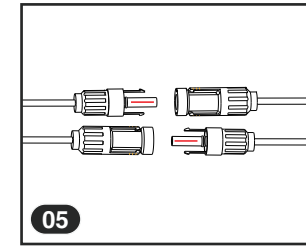
Fix the two metal clips to the surface of the wall or roof, and make sure the two clips are in a straight line. The distance between the two clips is about 40 cm for 60cm 12W or 70~80cm for 120cm 24W.



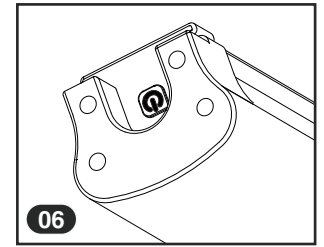
Insert the tensioning bolt and attach the light to the metal clips.



Using a screwdriver, adjust the tensioning bolts to lock the light fixture properly



Connect the solar light fixture to the solar panel by the MC4 Connectors to the Solar PV panel. Make sure the connections of MC4 plugs are tightened properly.



Push on the button to turn on the system, and the light will work automatically from dusk to dawn.

Regular Trouble Shot

Problem	Reason	How to solve
Light is off	Switch is off	Turn on the on/off switch of light
	No direct sunshine	Move the light to the direct sunny area
	Continuous cloudy or rainy days	Light will back to work when sun returns
	There is debris on solar panel	Clean the solar panel
Short working time	Location problem	Move the light to the area with direct sunshine
	Continuous cloudy or rainy days	Light will be recharged when sun returns
	Battery life is expired	Replace with a new battery